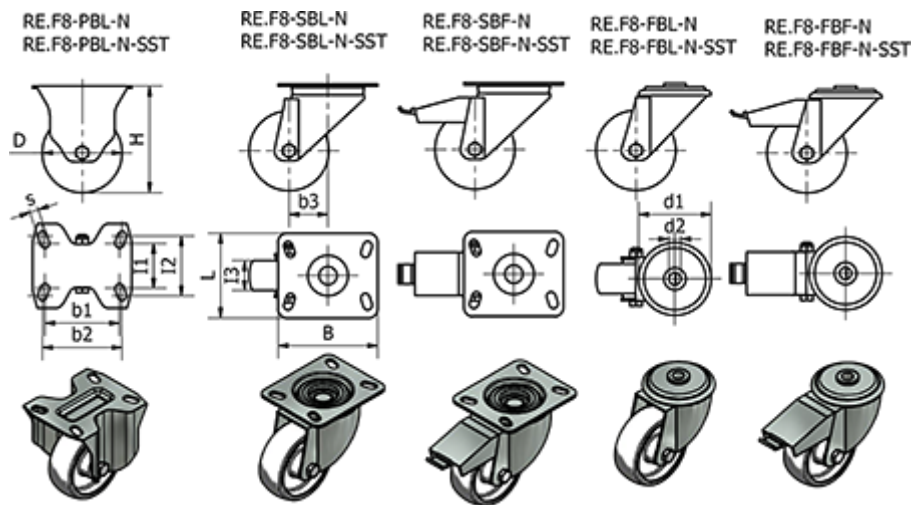


Article number: 2314450693

Description: E+G polyamide wheel

RE.F8-80-FBF-N - Turning plate w/brake in Zinc-plated steel

Measures



= -	d2	= 12	Rolling resistance (N)	= 1500	
B	=	Dynamic carrying capacity (N)	= 1800	s	=
b1	=	H	= 107	Type	= RE.F8-80-FBF-N
b2	=	l1	=	Wight (g)	= 700
b3	= 39	l2	=		
Code	= 450693	l3	= 30		
D	= 80	L	=		
d1	= 73	R	= 120		